

SAFETY GUIDE

WARNING - Before using, read these user's manuals of this product to ensure correct usage through understanding. After reading, store them in a safe place for future reference. Incorrect handling of this product could possibly result in personal injury or physical damage. The manufacturer assumes no responsibility for any damage caused by mishandling that is beyond normal usage defined in these manuals of this product.

- You will be using sharp tools. Always use personal protective equipment such as gloves and safety glasses to avoid the risk of injury.
- Make sure the floor you step on is dry, free from any liquids such as oil and water when assembling this product. Use anti-slip shoes to avoid falling due to slips.
- Make sure there is adequate lighting when doing the assembly. When assembling keep it away from children and pets.

EQUIPMENT FOR ASSEMBLE

Not included in the item package.

- Safety Gloves and Safety Shoes
- Electrical Hand Drill

It is recommended that you have knowledge of assembly are helpfull.

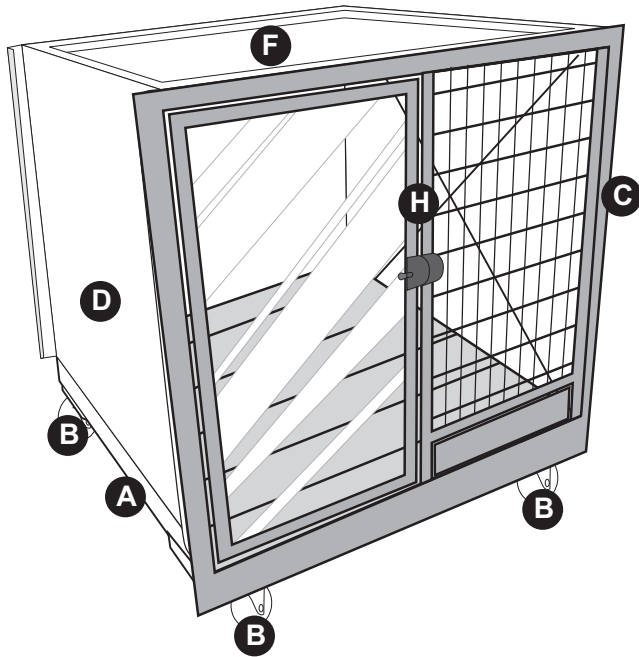
SAFETY PRECAUTION



K9 KENNEL STORE

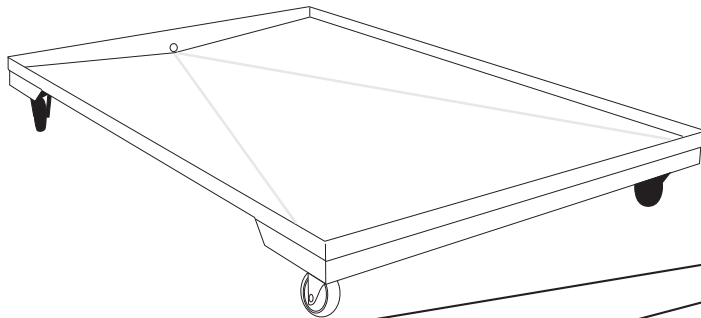
833 West 27th Street Ogden, Ut 84401
Phone : (801) 621-4024 Fax : (801) 621-4353
E-Mail : k9kennelsstore@gmail.com

Parts List

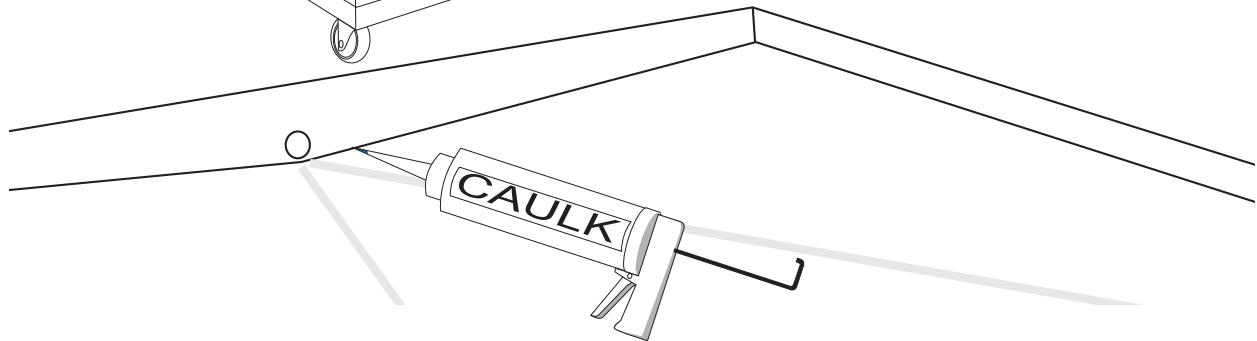


- A Floor Pan
- B Casters
- C Left Side Wall Panel
- D Right Side Wall Panel
- E Back Side Wall Panel
- F Top Side Panel
- G Raised Floor
- H Front Door Panel
- I Plumbing Set and Bowls

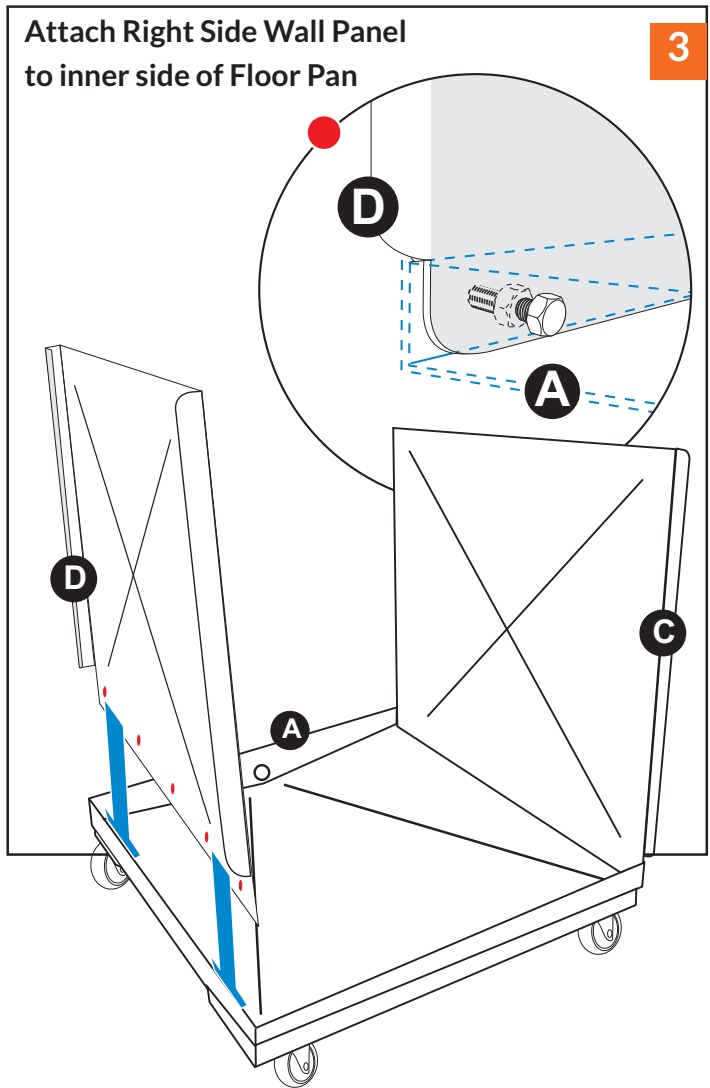
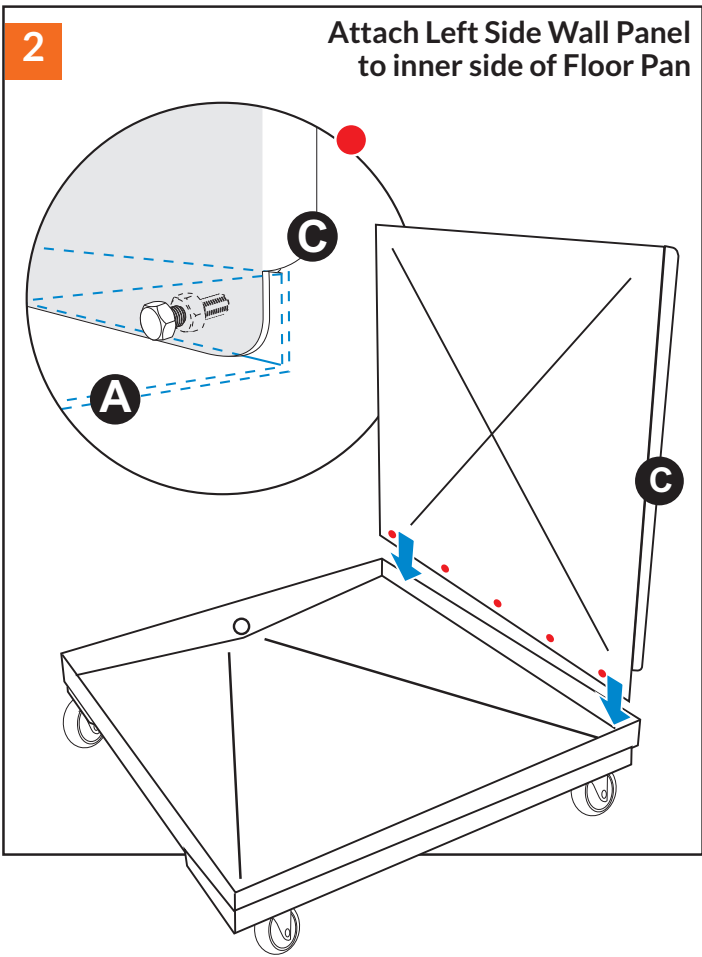
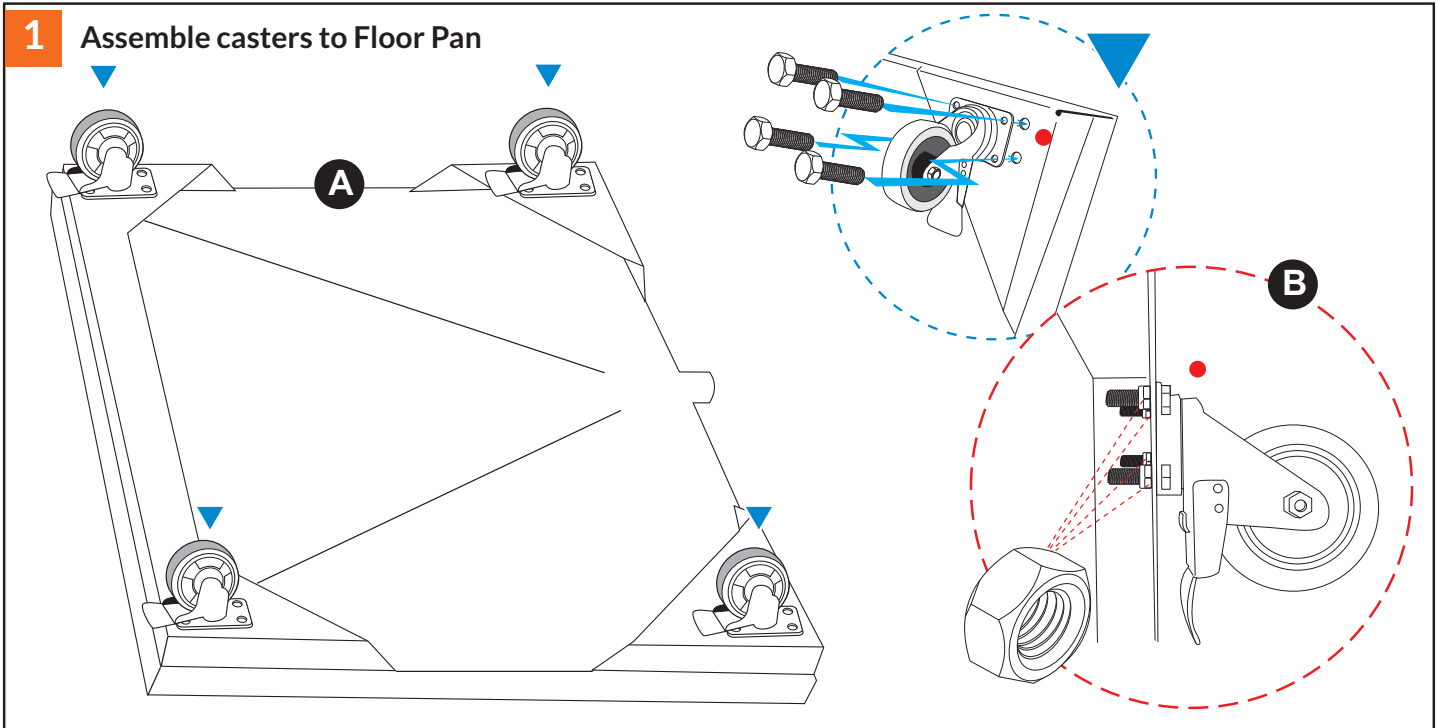
Tips for maximum waterproof



For maximum waterproof result we suggest to gets caulk and then all the seams get caulked.

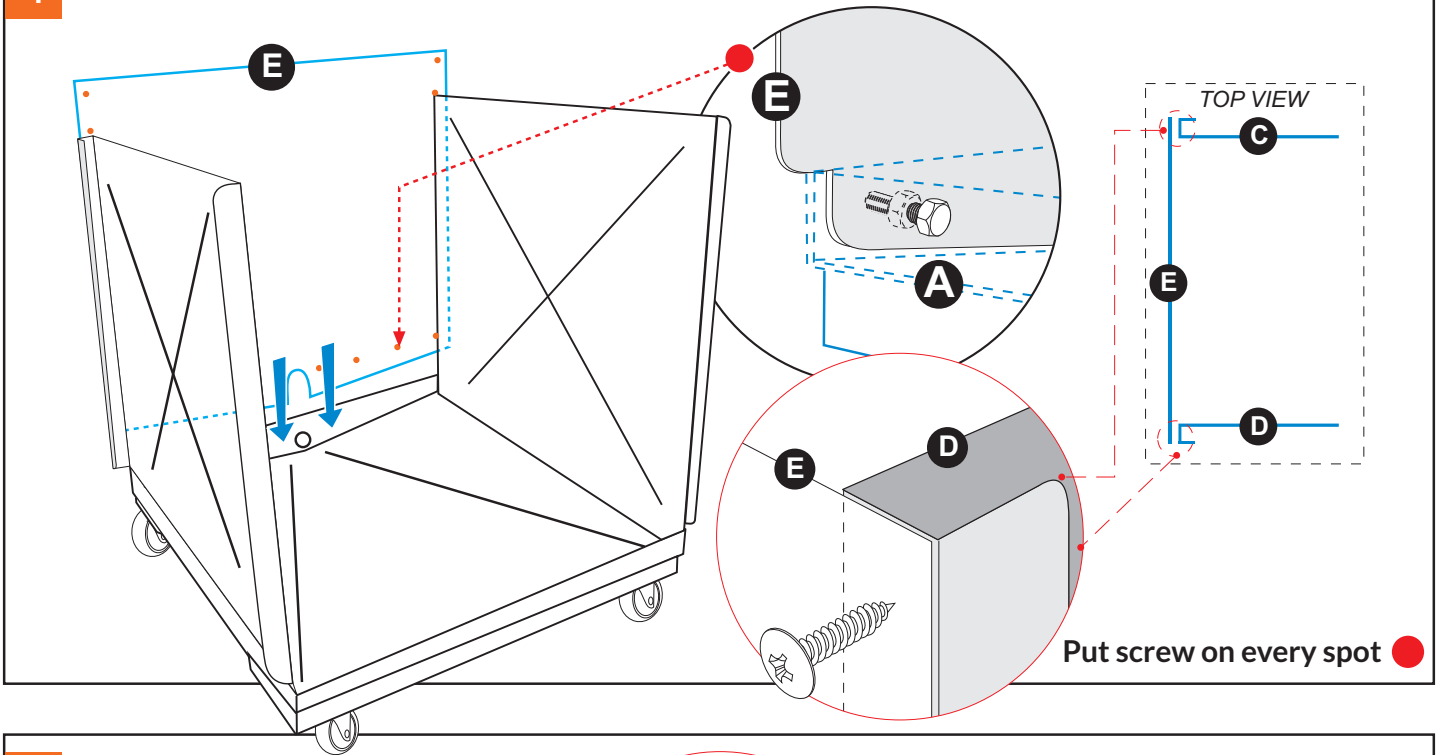


Assembling Instruction

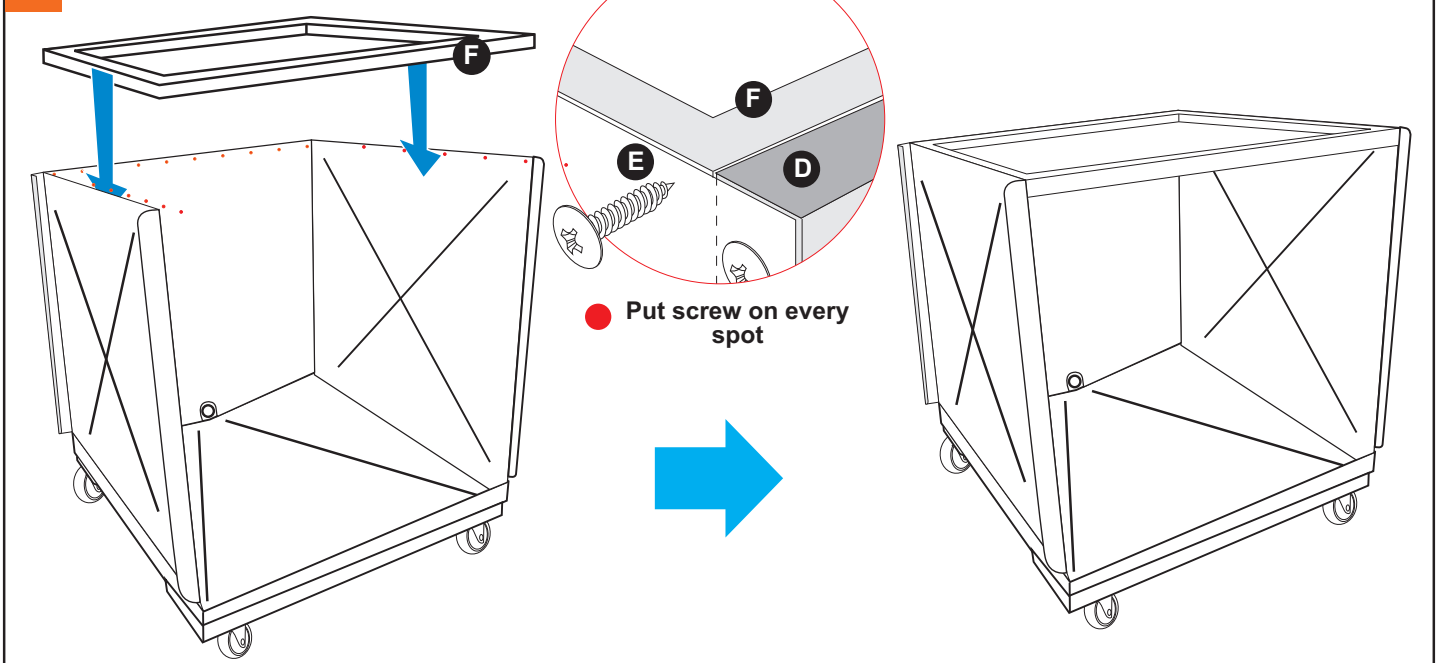


4

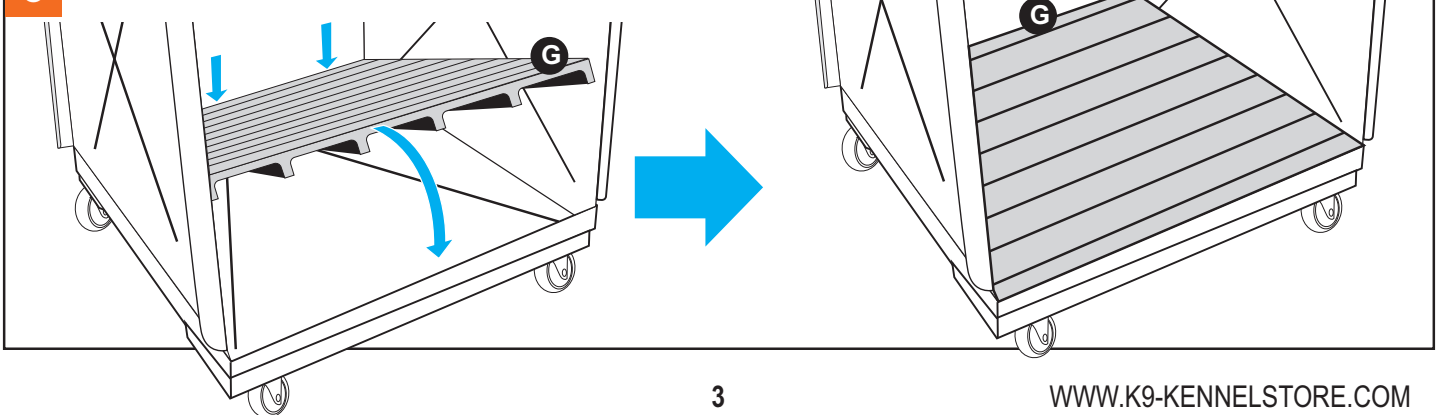
Attach Back Side Wall Panel to inner side of Floor Pan



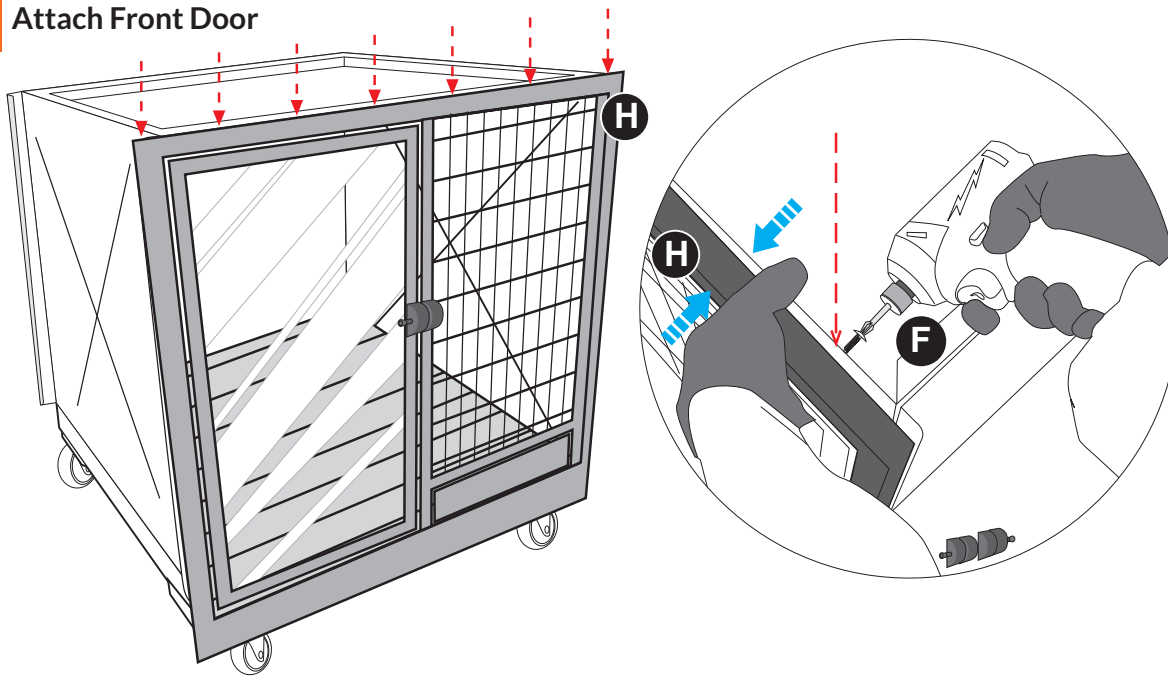
5 Attach Roof Panel



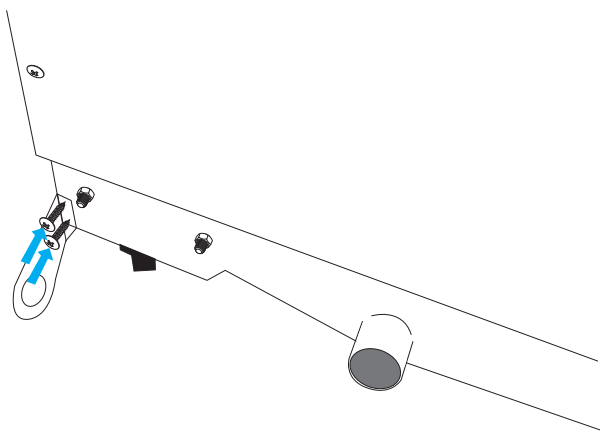
6 Attach Raised Flooring



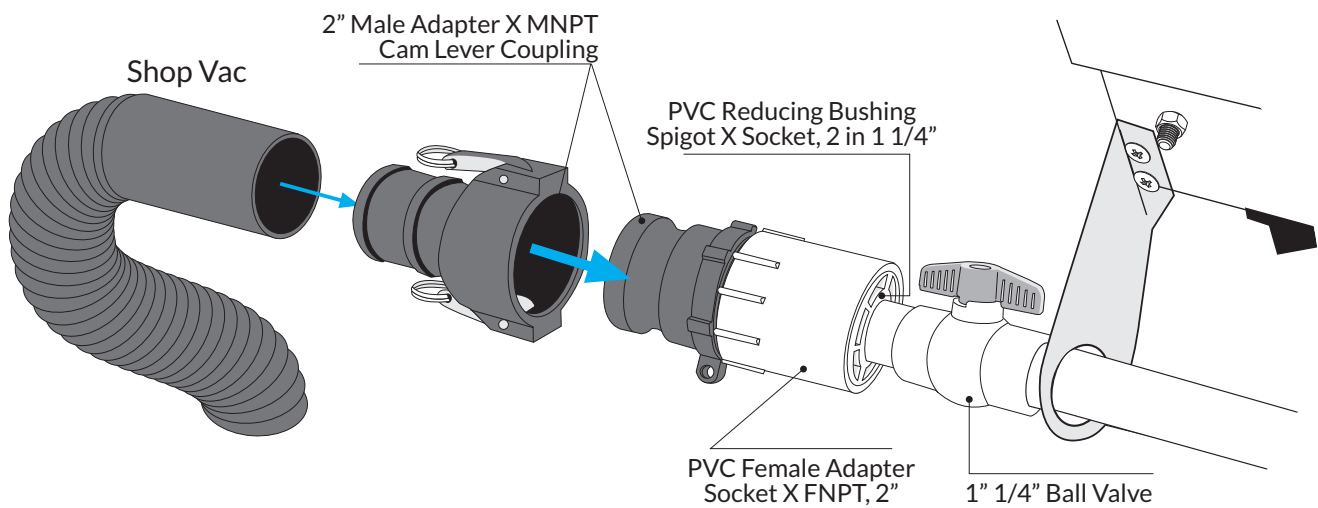
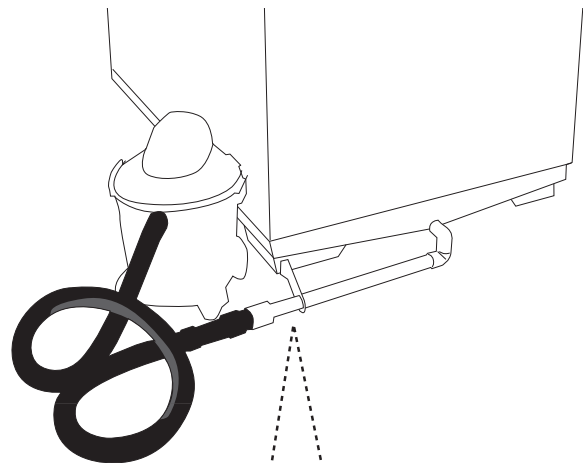
7 Attach Front Door



8 Attach Plumbing Bracket to Floor Pan

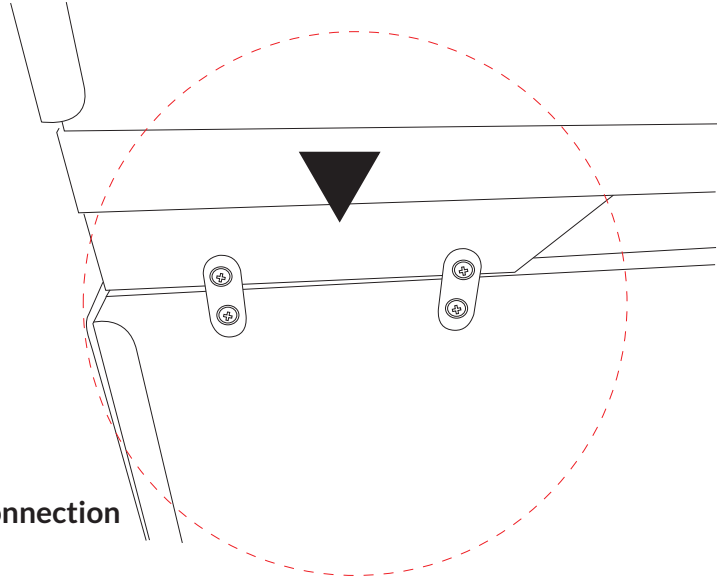
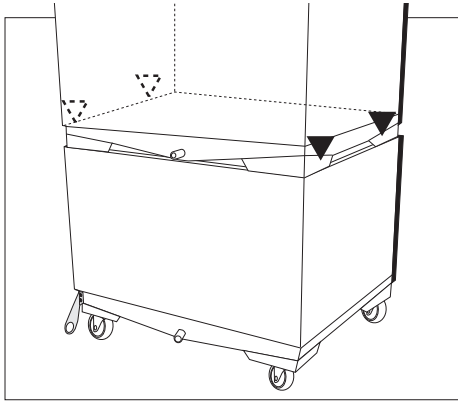


9 Install PVC Pipe to Drain Pipe for single unit

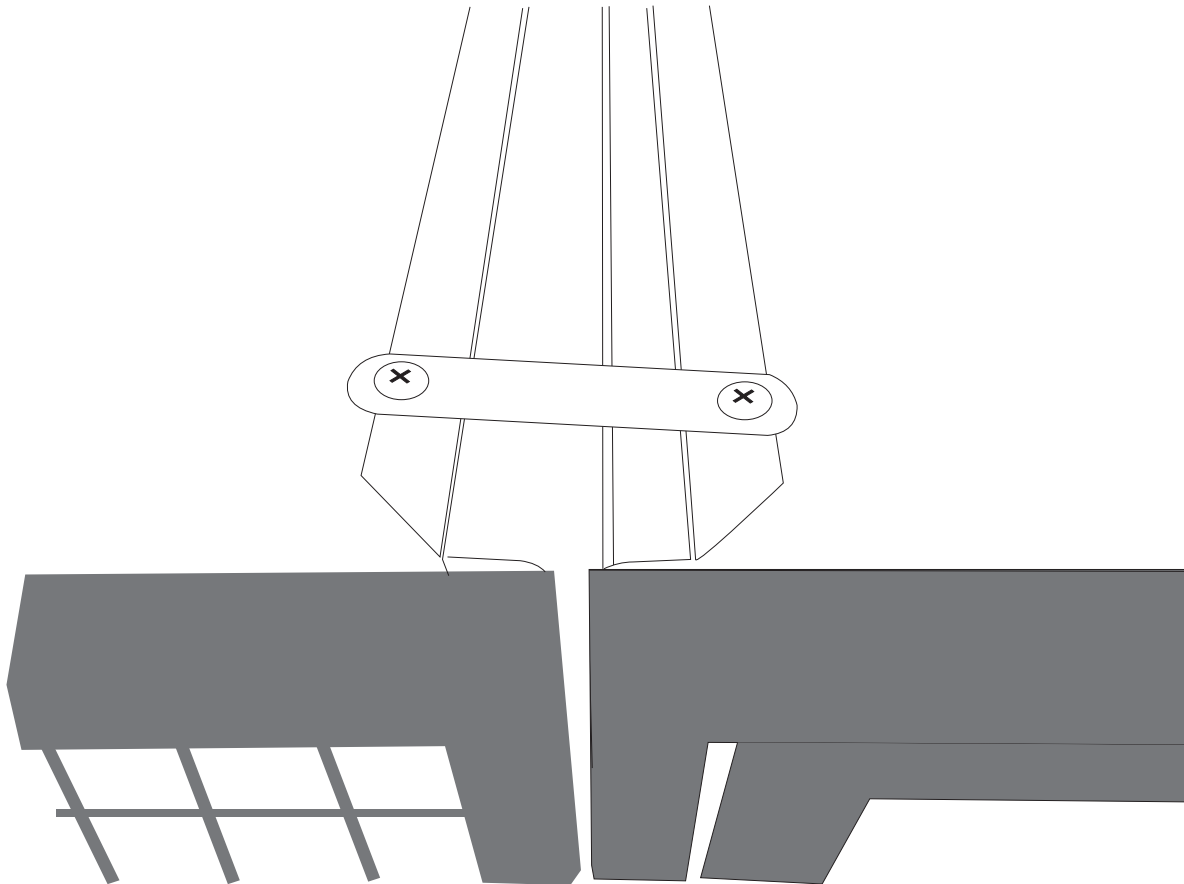


Multiple Units Plumbing Instalation

1 Secure interconnection between units

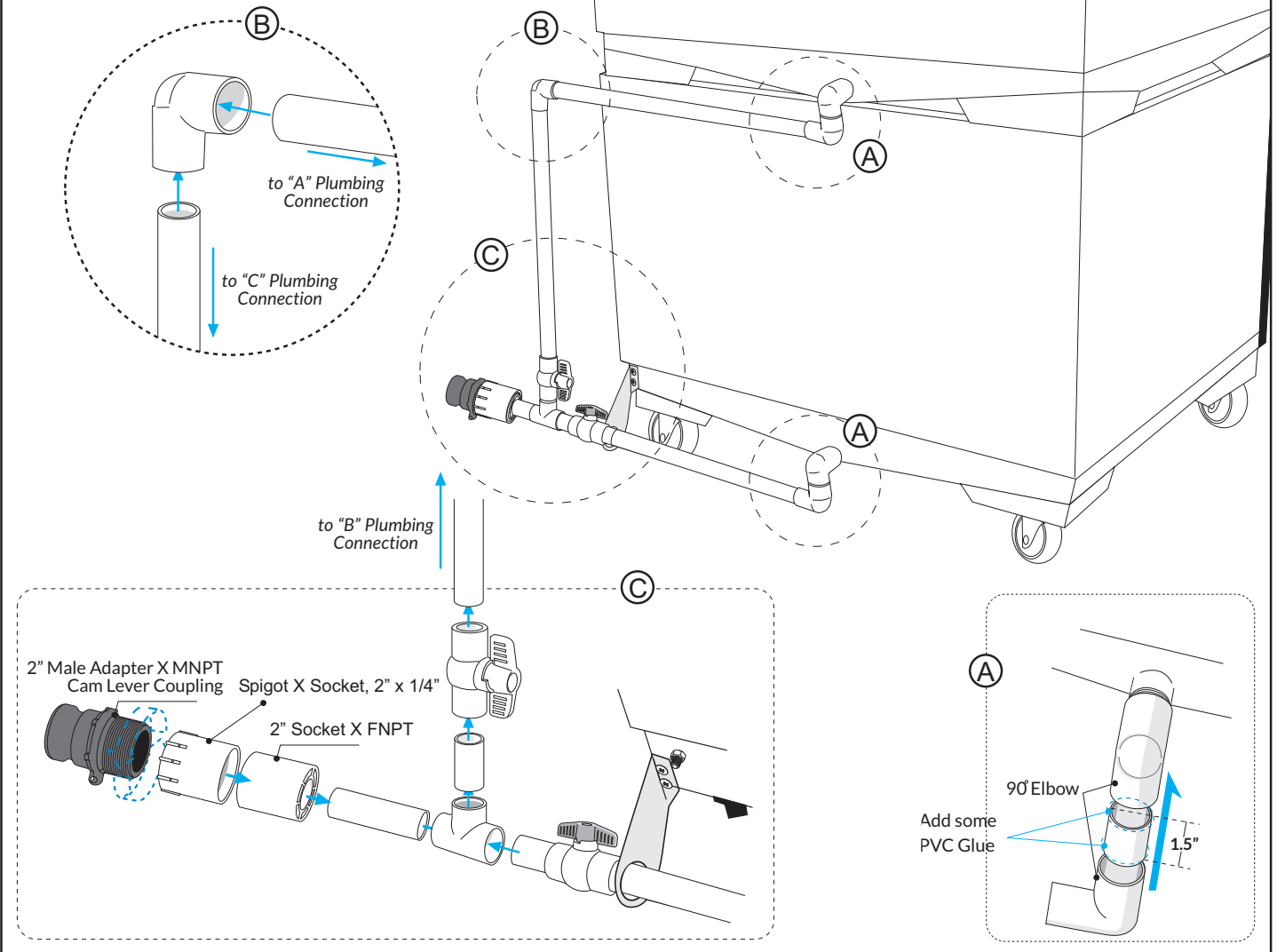


Stacking units interconnection

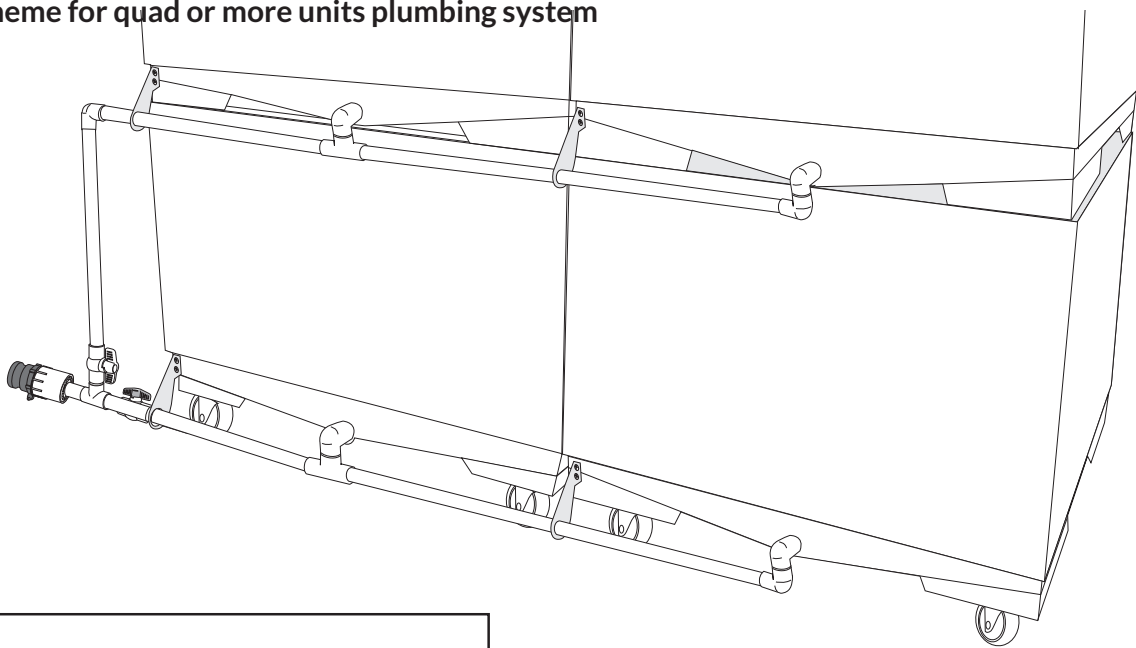


Side by side units interconnection

2 Type of plumbing interconnection



3 Scheme for quad or more units plumbing system



Thank You