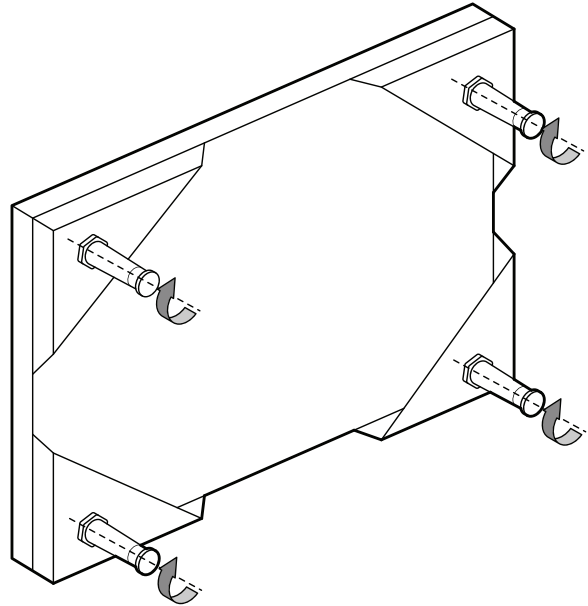


INSTRUCTIONS FOR INSTALLATION

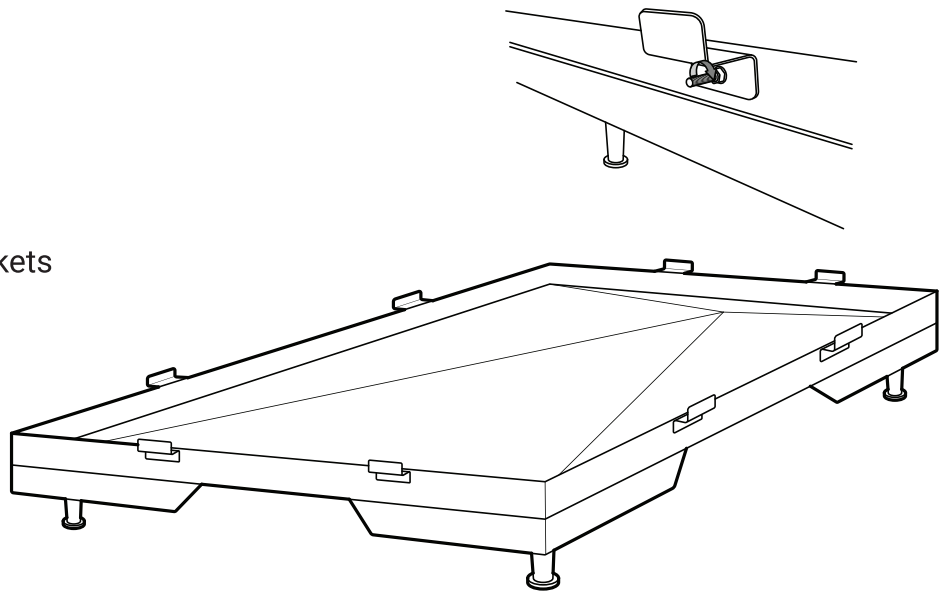
STEP 1

Install legs or options wheel casters to underside of floor pan.



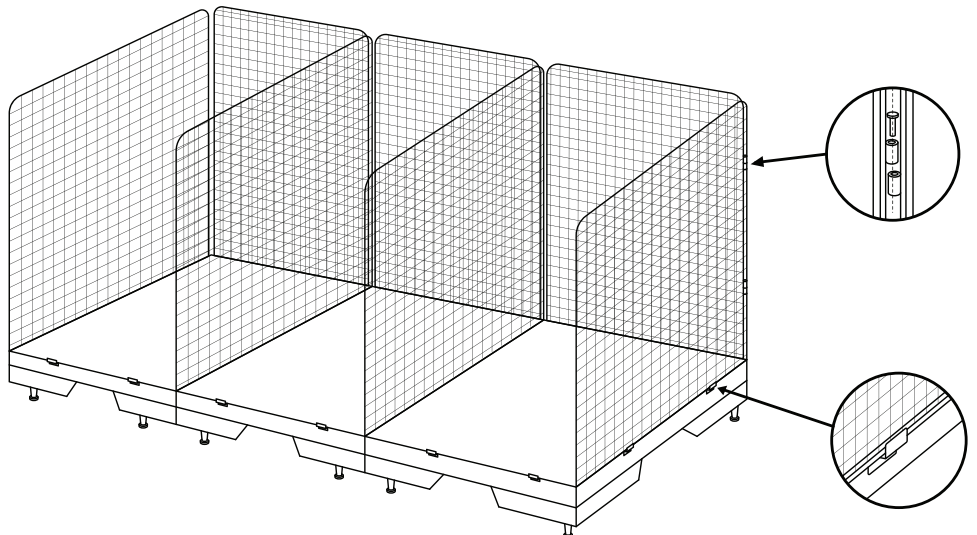
STEP 2

Install two Z panel support brackets to each side of floor pan.



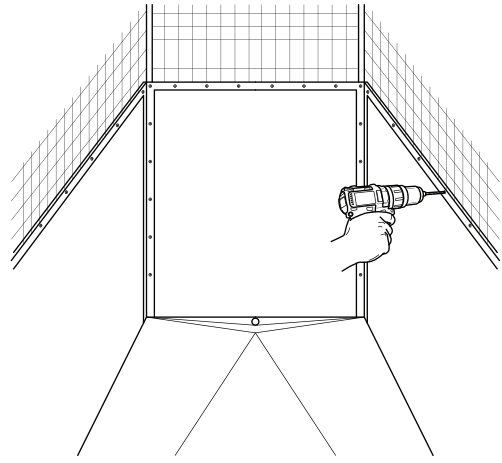
STEP 3

Install fence panels on top of Z panel support brackets. Insert connection pins into fence panel pipes to connect the panels together.



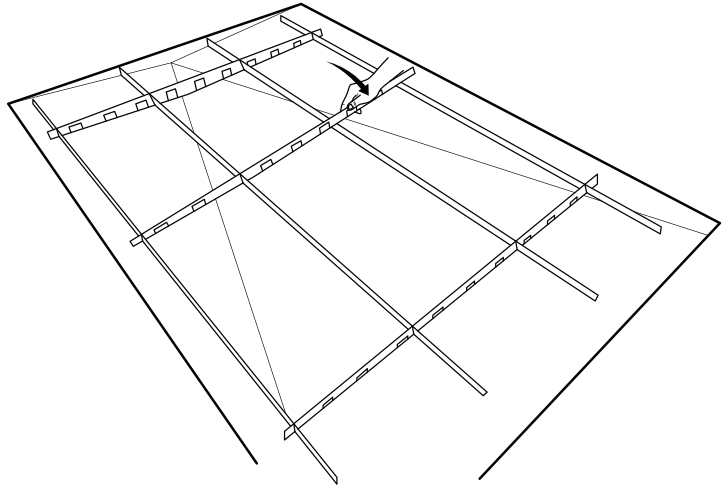
STEP 4

Place wall board against the inside of fence panels and inside the floor pan. Attach trim (U channel for the top and angle iron for the corners) with self-tapping screws into fence panel tube frame. Place angle iron trim underneath U channel trim.



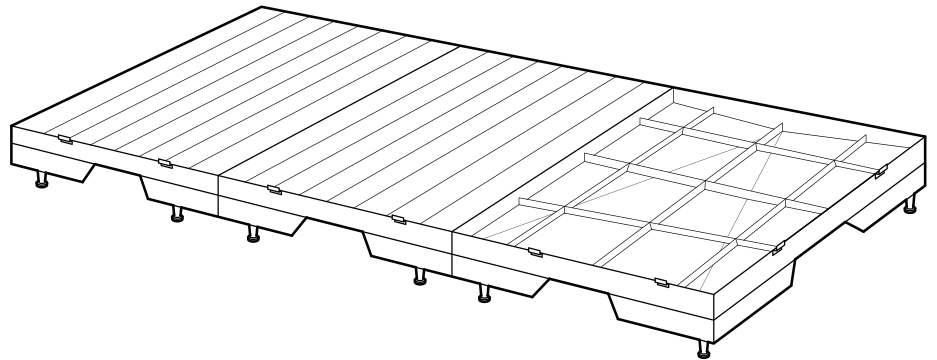
STEP 5

Assemble floor support grate into floor pan.



STEP 6

Place raised flooring on top of floor support and Floor pan.



STEP 7

Install PVC plumbing onto floor pan
Install Support Bracket
Quick Disconnect coupler
Shut off valve
PVC elbows
PVC Tee
Measure and cut PVC pipe to fit in between PVC Tee's or elbows. For more units continue down the line or around the corner to the next drain pipe

