

A. Safety Guide

Thank you for purchasing this products.



WARNING • Before using, read these user's manuals of this product to ensure correct usage through understanding. After reading, store them in a safe place for future reference. Incorrect handling of this product could possibly result in personal injury or physical damage. The manufacturer assumes no responsibility for any damage caused by mishandling that is beyond normal usage defined in these manuals of this product.

The Lifesaver Dog House is built and designed to provide your dog with a dry environment and wind protection. The house is constructed with 1 x 2 frames, sandwiched on both sides with 2.7 mm lauan, a veneered wood material used in home building for doors and cabinets. The lauan interior wicks moisture away from your dog and is draft resistant. There is no plastic to chew on or trap moisture or condensation, and no metal inside to collect moisture and freeze to your dog's coat. Between the lauan is 3/4" EPS type foam board insulation. The 1/2" plywood floor is positioned 5 inches lower than the bottom of the door opening to allow plenty of bedding for nesting. The outside of the doghouse is covered in aluminum sheeting. The lid is engineered and sealed to be leak proof. It allows full access to interior for cleaning, bedding changes, and dog handling, and includes a lock-in-place support bracket. An aluminum double swing weather flap allows easy access for your dog. 11 3/4" W x 13" H door opening.



- You will be using sharp tools. Always use personal protective equipment such as gloves and safety glasses to avoid the risk of injury.
- Make sure the floor you step on is dry, free from any liquids such as oil and water when assembling this product. Use anti-slip shoes to avoid falling due to slips.
- Keep this product out of reach of electric current, as this product is made of metal that conducts electricity.
- Make sure there is adequate lighting when doing the assembly. When assembling keep it away from children and pets.

B. Equipment needed to assemble.

Not included in the item package.

- "+" and "-" Screwdrivers
- Socket Wrench No.8 and 10
- Open Wrench / Open End Spanner
- Safety transparent glass (if there any)
- Safety Gloves and Safety Shoes
- Hand held hack saw
- Whiteboard marker
- Electrical Hand Drill (optional)

It is recommended that you have knowledge of basic carpentry and assembly are helpful.

SAFETY PRECAUTION



K9 KENNEL STORE

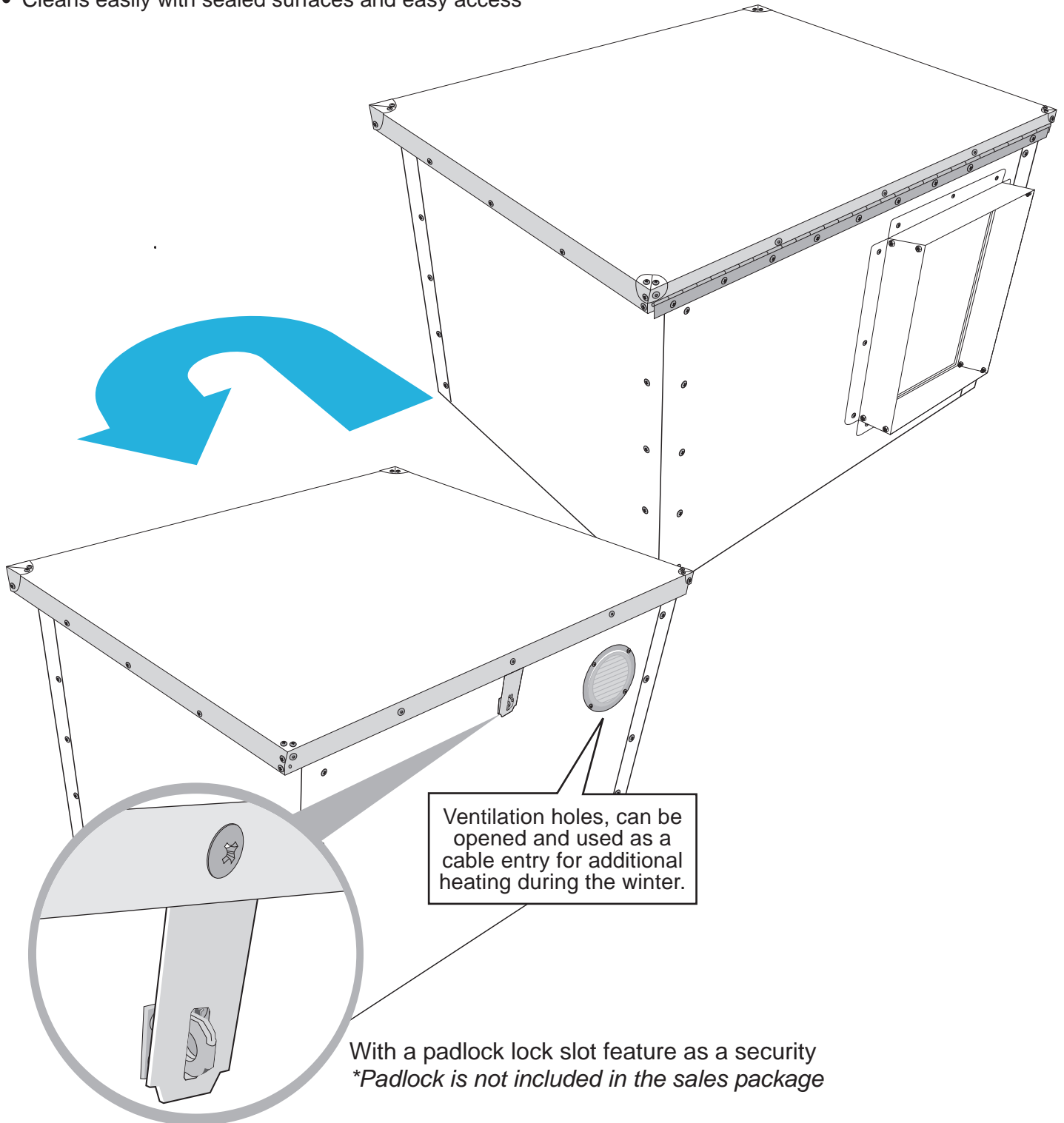
833 West 27th Street Ogden, Ut 84401

Phone : (801) 621-4024 Fax : (801) 621-4353

E-Mail : k9kennelsstore@gmail.com

C. Features

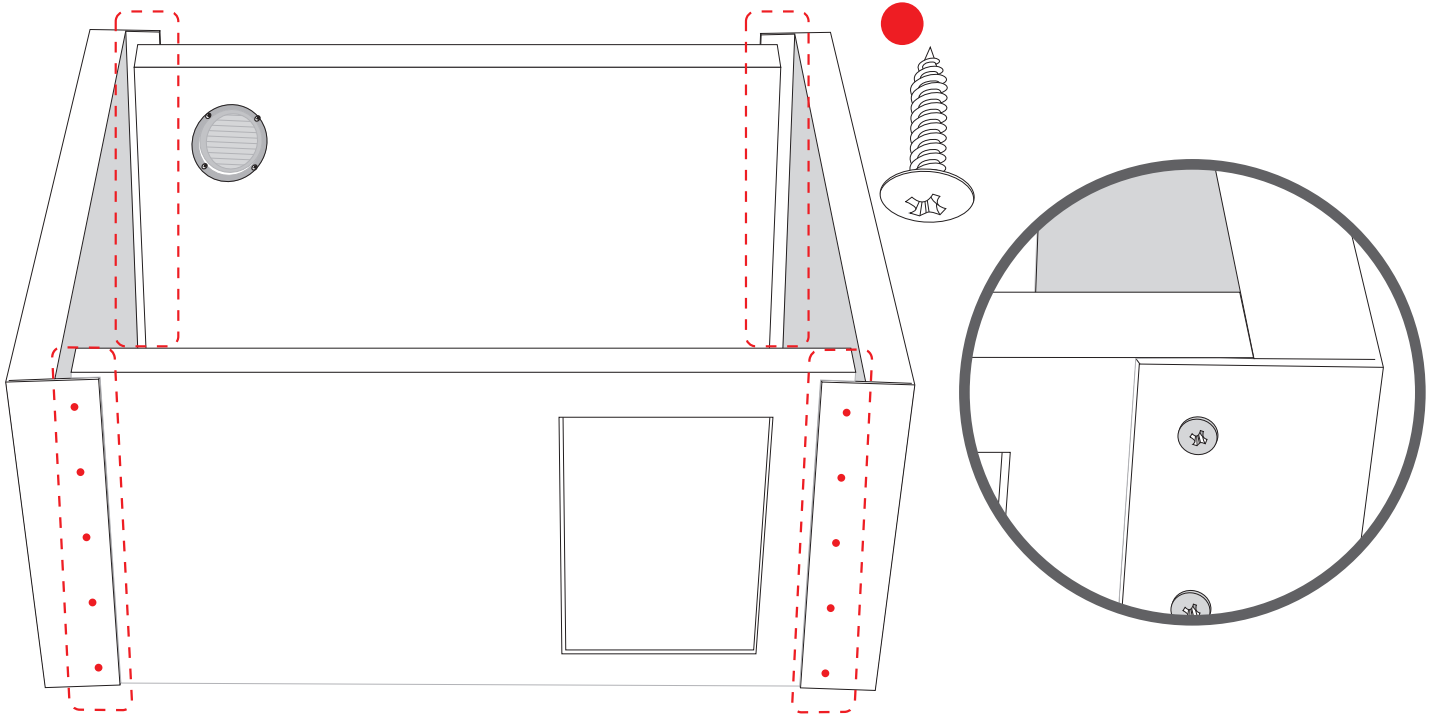
- 4.5" W x 32" L x 26" H (approx 35" x 28" x 22.5" interior)
- Double wall construction insulated with 3/4" foamboard
- .030 gauge smooth aluminum outer skin
- Interior lined with FRP board for easy cleaning
- 1/2" plywood floor
- Support arm bracket to hold lid up
- Door opening 11 3/4" W x 13" H
- Aluminum double swing door flap
- Cleans easily with sealed surfaces and easy access



D. Assembling

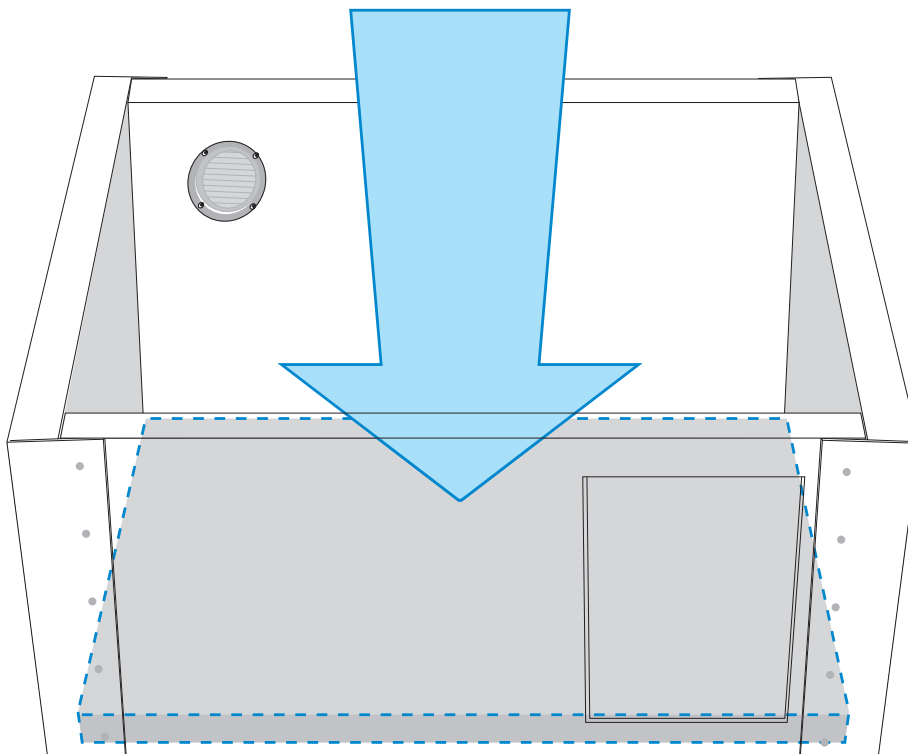
1. The Wall

Stand 3 of 4 interconnected walls, align the screw holes on the first 2 walls, then install the screws. Proceed to the other 3 wall joints.



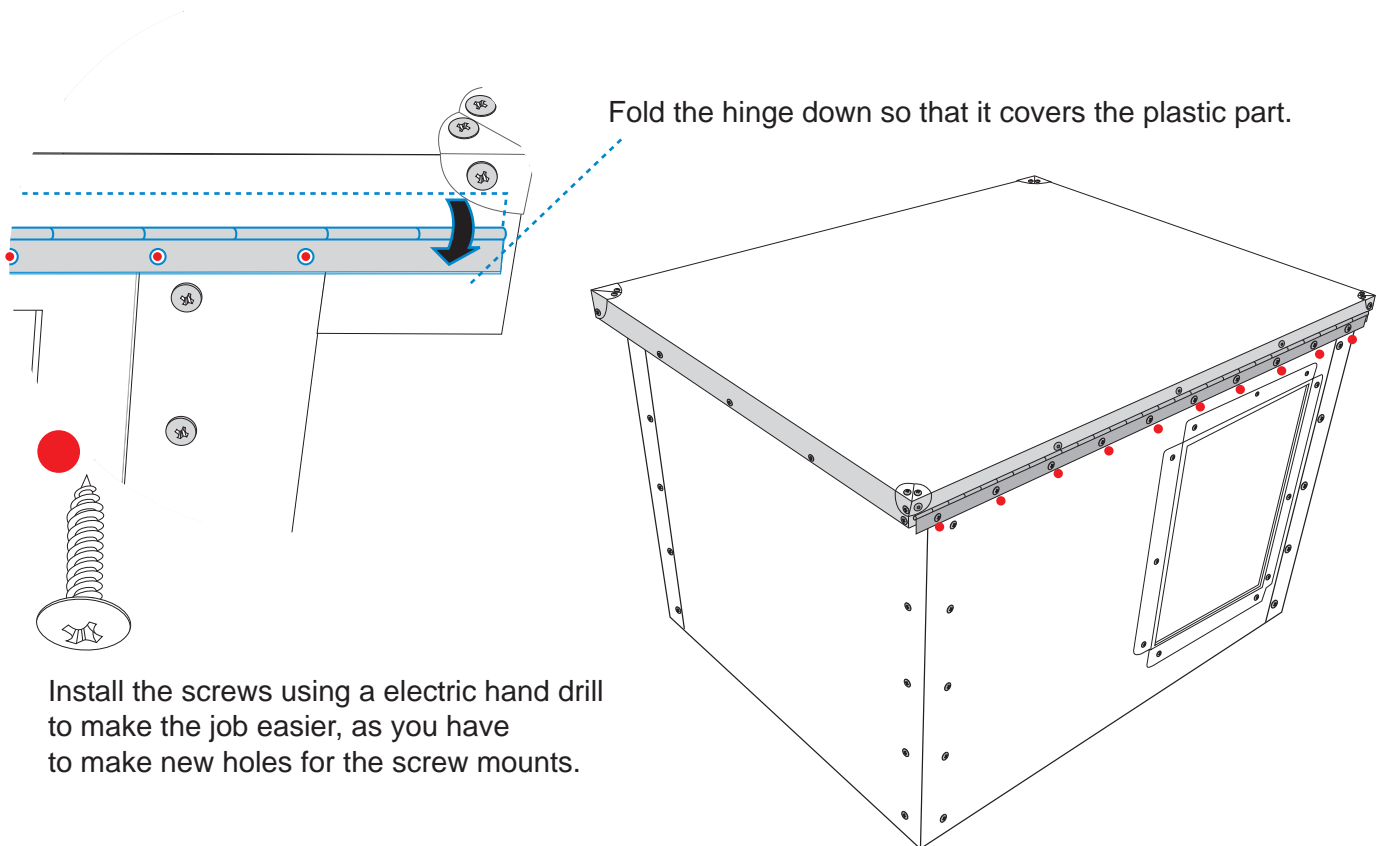
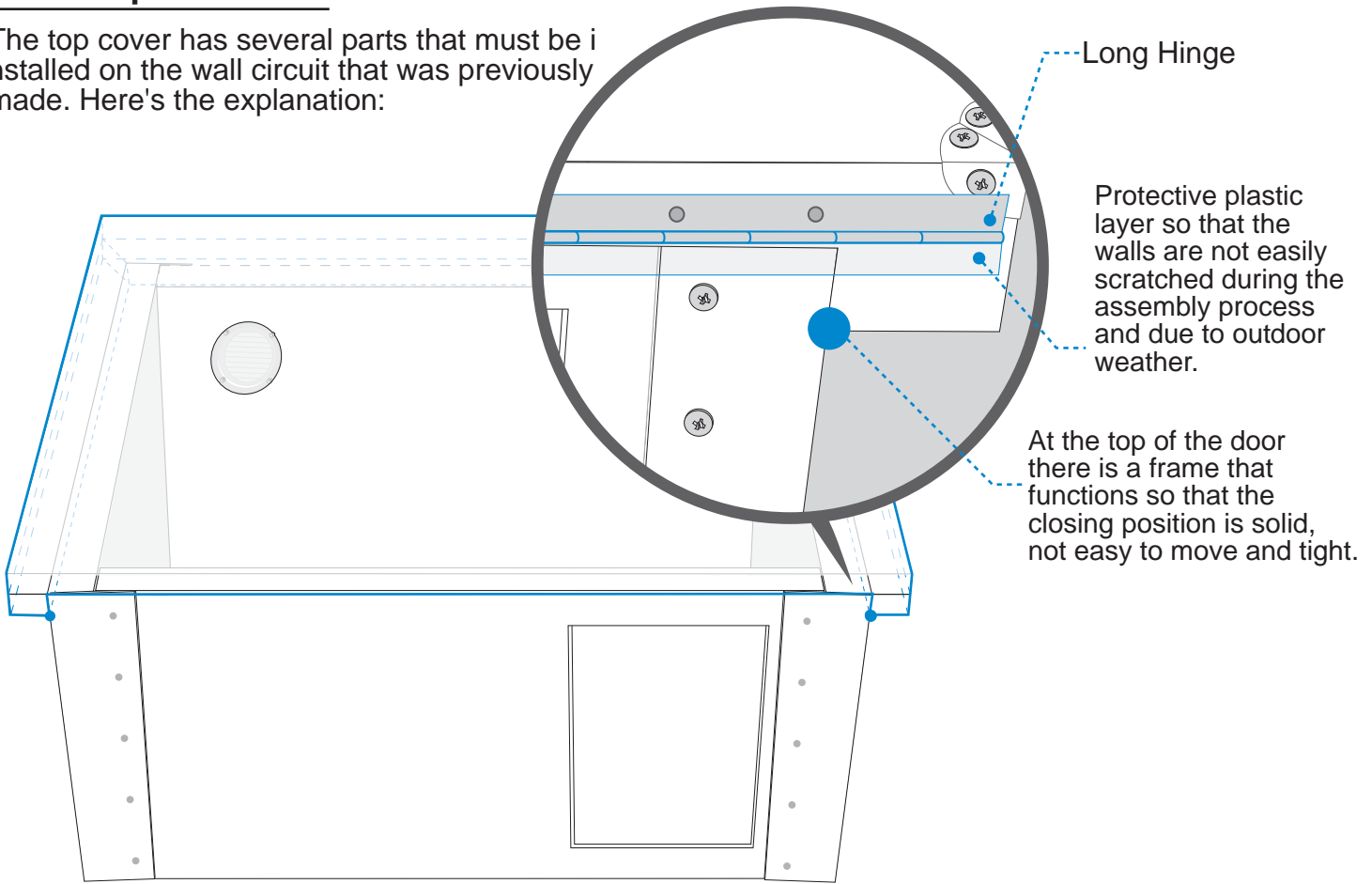
2. Bottom base

Place the floor mat in the middle of a series of walls that have been arranged.



3. The Top Door

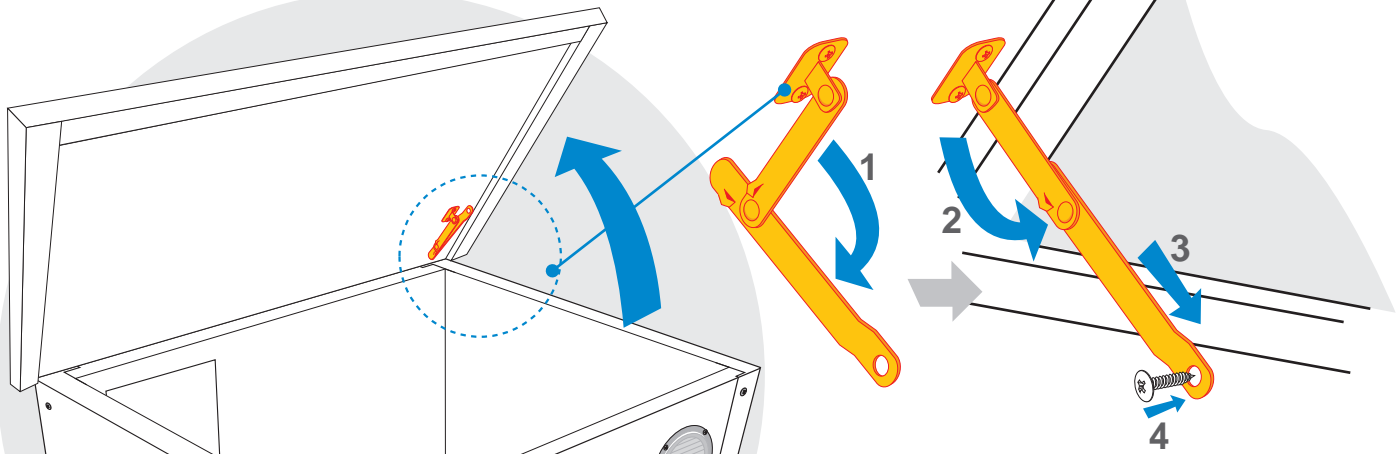
The top cover has several parts that must be installed on the wall circuit that was previously made. Here's the explanation:



Install the screws using a electric hand drill to make the job easier, as you have to make new holes for the screw mounts.

4. Inner Support Hinge

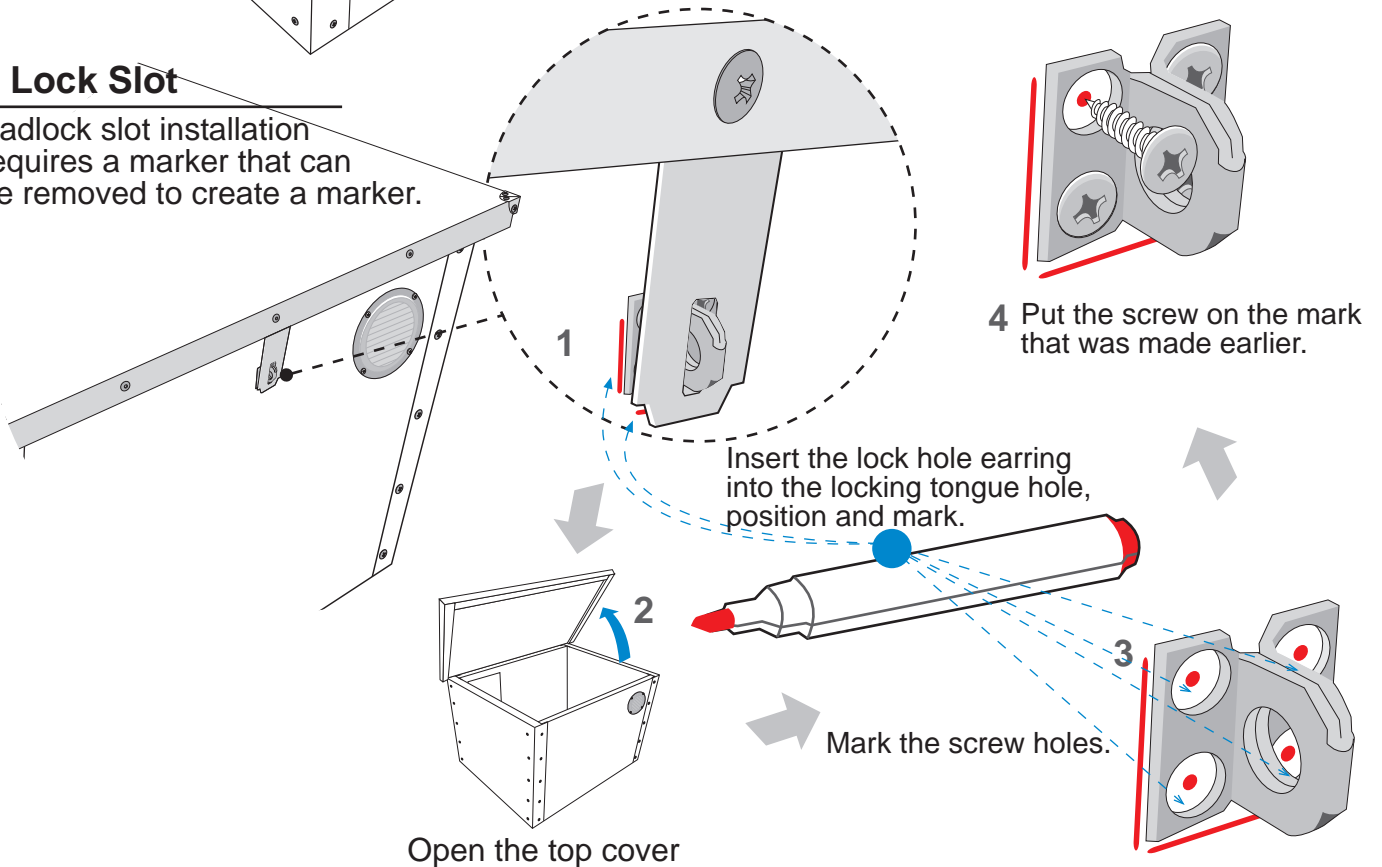
After the opening and closing hinges are installed, open the top cover. You'll find support hinges that will help hold the top door open without being pushed or held by hand when you need it to stay open.



Straighten the folded hinge arm, positioning the screw hole just below the bottom line on the inner wall.

5. Lock Slot

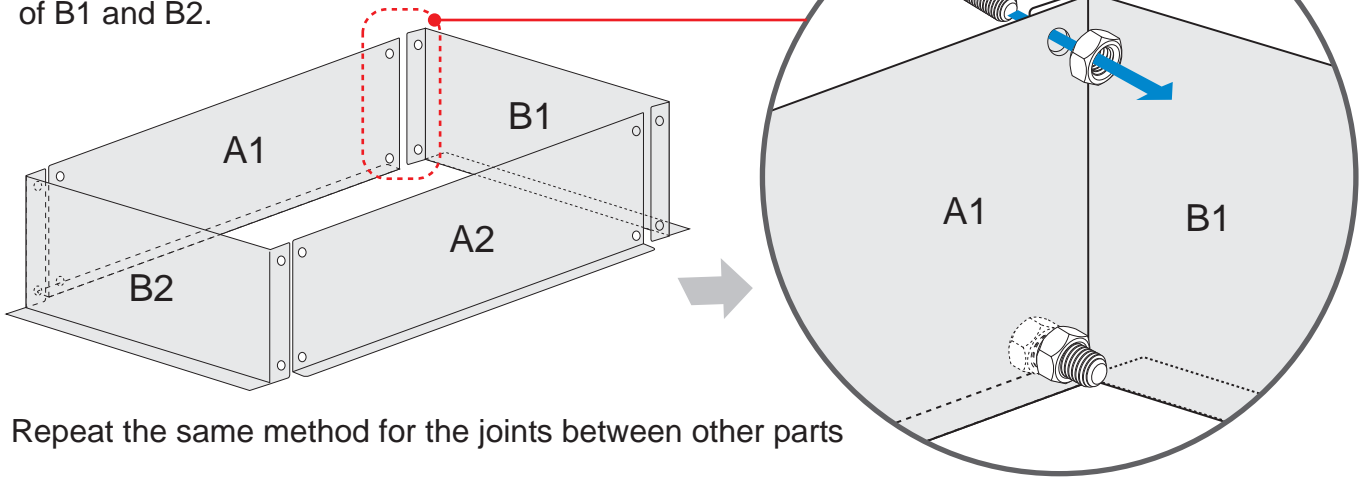
Padlock slot installation requires a marker that can be removed to create a marker.



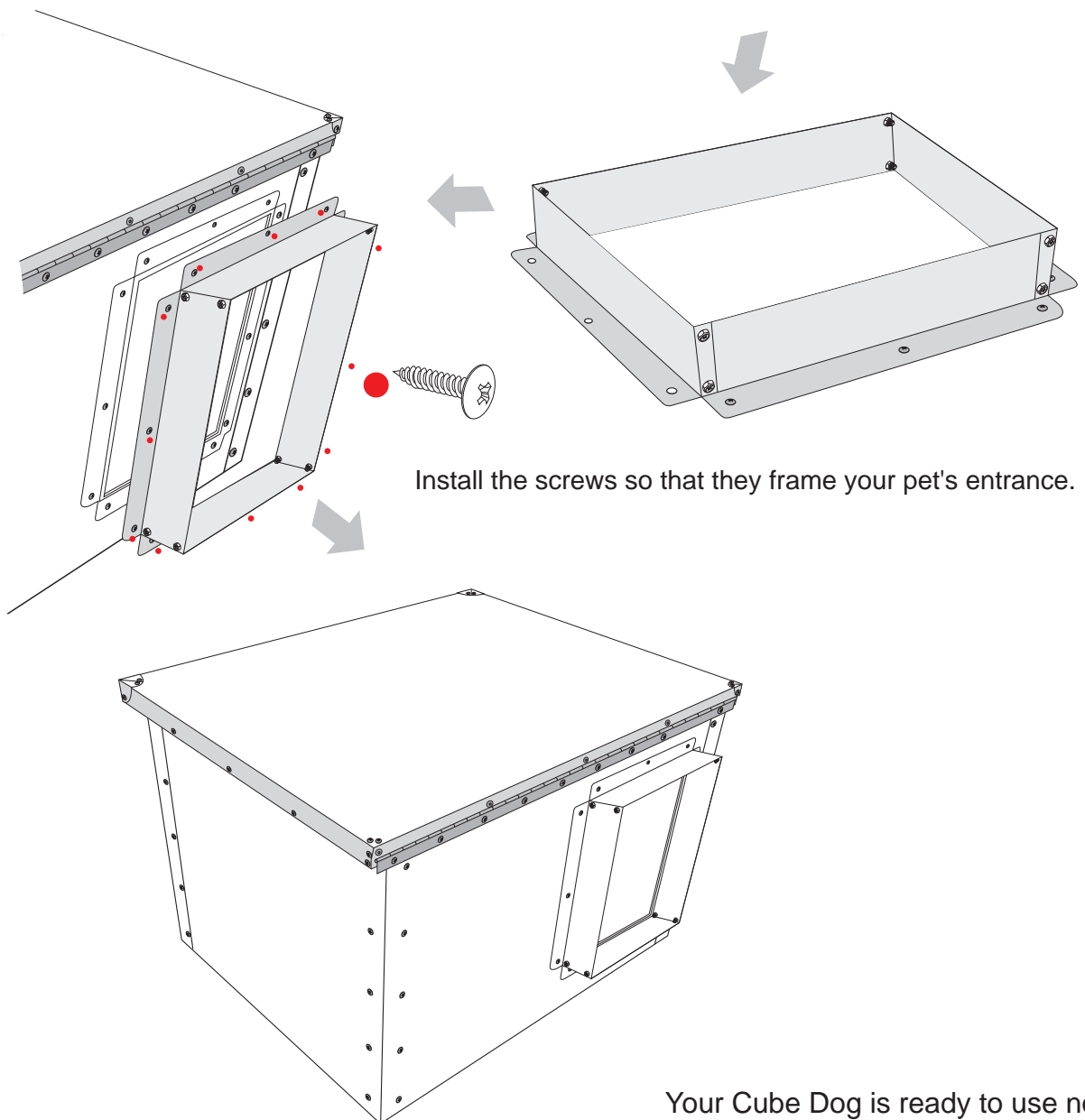
Open the top cover

6. Entry Door

To unite the entrance frame, it requires nuts and bolts. Sections A1 and A2 must always be on the inside of B1 and B2.



Repeat the same method for the joints between other parts



Install the screws so that they frame your pet's entrance.

Your Cube Dog is ready to use now.
~ THANK YOU ~